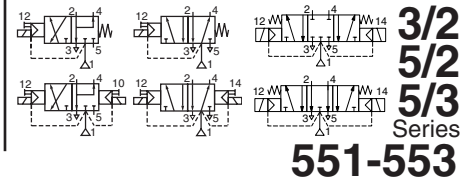




SOLENOID VALVES

pilot operated, spool type
single/dual solenoid
aluminium body, "NAMUR" style, 1/4 - 1/2



FEATURES

- The monostable spool valves in conformity with IEC 61508 Standard (2010 route 2_H version) have TÜV (551 series) and EXIDA (551-553 series) certified with integrity levels: SIL 2 for HFT = 0 / SIL 3 for HFT = 1
- The spool valves have threaded port connections and "NAMUR" style interface
- The same spool valve can be adapted for 3/2 NC or 5/2 function for controlling double-acting and single-acting actuators
- All the exhaust ports of this spool valve are connectable, providing better environmental protection, particularly recommended for sensitive areas such as clean rooms, and applications in the pharmaceutical and food processing sectors
- The valve offers environmental protection against the ingress of liquids, dusts or any other foreign matter (environmentally-protected construction)
- Can be externally piloted (external air pilot supply) to convert valve to zero minimum operation by flipping a gasket
- The solenoid valves satisfy all relevant EU Directives

GENERAL

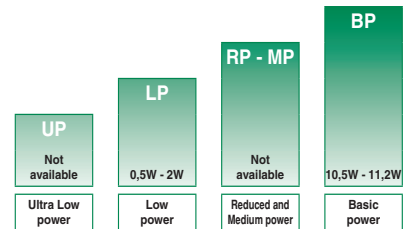
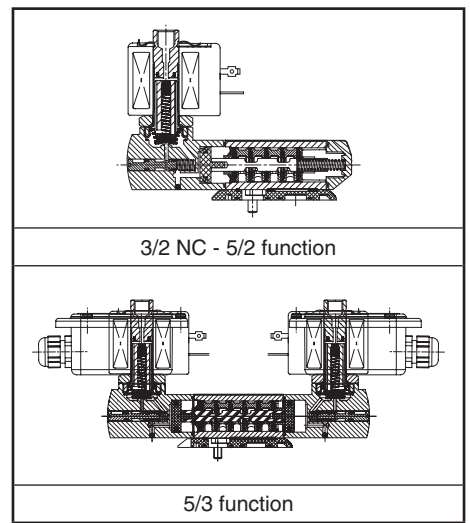
Differential pressure 2 - 10,4 bar [1 bar = 100 kPa]
Flow (Qv at 6 bar) 1/4 = 700 l/min (ANR)
1/2 = 3000 l/min

fluids (*)	temperature range (TS)	seal materials (*)
air, inert gas, filtered	- 25°C to + 60°C	NBR (nitrile) + PUR (polyurethane)

MATERIALS IN CONTACT WITH FLUID

(*) Ensure that the compatibility of the fluids in contact with the materials is verified

Body	Aluminium, black anodized
End cover (spring)	Glass-filled PA
Interface plates	Glass-filled PA
Spool valve internal parts	Zamak, stainless steel, (POM), aluminium
Pilot internal parts	Refer to specific solenoid catalogue pages
Pilot end covers	Aluminium
Core tube	Stainless steel
Core and plugnut	Stainless steel
Core spring	Stainless steel
Seals	NBR
Top disc	PA
Disc holder	POM
Cartridge (low power)	Welded, packless AISI 430
Seat	Brass
Seat insert	POM
Shading coil	Copper
Rider rings (low power)	PTFE (NF/WSNF solenoids only)



SPECIFICATIONS

pipe size	orifice size	flow coefficient kv		operating pressure differential (bar)			power level	prefix optional solenoids							basic catalogue number
								max. (PS)		ATEX / IECEx		IP65			
				min. ⁽³⁾	air (*)	~		=	~/=	NEMA 7 & 9	Ex d	Ex e mb	Ex mb	Ex ia	
(*)	(mm)	(m³/h)	(l/min)					EF	(WS)LPKF	NF	EM	PV	(WS)LI	-	SC
3/2 NC - 5/2 - Solenoid air pilot operated - spring return (monostable)															
1/4	6	0,6	10	0 / 2	10	10	BP	-	-	●	●	-	-	●	❖551B401 ⁽²⁾
1/4	6	0,6	10	0 / 2	10	10	BP	●	-	-	-	-	-	-	❖551H401 ⁽²⁾
1/4	6	0,6	10	0 / 2	10	10	LP	-	●	●	●	○	○	●	❖551B301 ⁽²⁾
1/4	6	0,6	10	0 / 2	10	10	LP	○	-	-	-	-	-	-	❖551H301 ⁽²⁾
1/2	13	2,49	41,5	0 / 2	10	10	BP	-	-	●	●	●	-	●	❖553A401 ⁽²⁾
1/2	13	2,49	41,5	0 / 2	10	10	BP	●	-	-	-	-	-	-	❖553G401 ⁽²⁾
1/2	13	2,49	41,5	0 / 2	10	10	LP	-	●	●	●	○	○	●	❖553A301 ⁽²⁾
1/2	13	2,49	41,5	0 / 2	10	10	LP	○	-	-	-	-	-	-	❖553G301 ⁽²⁾

❖ Select **8** for NPT ANSI 1.20.3 or select **G** for ISO G (228/1) ● Available feature ○ Available feature in DC only - Not available
⁽²⁾ Certified IEC 61508 Functional Safety data, use suffix "SL".
⁽³⁾ Zero minimum is only achieved if external pressure is applied.

SPECIFICATIONS

pipe size	orifice size	flow coefficient kv		operating pressure differential (bar)			power level	prefix optional solenoids								basic catalogue number
								min. ⁽³⁾	max. (PS)		NEMA 7 & 9	ATEX / IECEx				
				~	=	~/=			Ex d	Ex e mb		Ex mb	Ex ia	-	IP65	
(*)	(mm)	(m ³ /h)	(l/min)				EF	(WS)LPKF	NF	EM	PV	(WS)LI	-	SC		
3/2 NC - 5/2 - Solenoid air pilot operated and return (bistable)																
1/4	6	0,6	10	0/2	10	10	BP	-	-	●	●	●	-	-	●	❖551B402
1/4	6	0,6	10	0/2	10	10	BP	●	-	-	-	-	-	-	-	❖551H402
1/4	6	0,6	10	0/2	10	10	LP	-	●	●	●	○	○	-	●	❖551B302
1/4	6	0,6	10	0/2	10	10	LP	○	-	-	-	-	-	-	-	❖551H302
1/2	13	2,49	41,5	0/2	10	10	BP	-	-	●	●	●	-	-	●	❖553A402
1/2	13	2,49	41,5	0/2	10	10	BP	●	-	-	-	-	-	-	-	❖553G402
1/2	13	2,49	41,5	0/2	10	10	LP	-	●	●	●	○	○	-	●	❖553A302
1/2	13	2,49	41,5	0/2	10	10	LP	○	-	-	-	-	-	-	-	❖553G302
5/3 - W1 - pressure held, solenoid air pilot operated and return																
1/4	6	0,6	10	0/2	10	10	BP	-	-	●	●	●	-	-	●	❖551B465
1/4	6	0,6	10	0/2	10	10	BP	●	-	-	-	-	-	-	-	❖551H465
1/4	6	0,6	10	0/2	10	10	LP	-	●	●	●	○	○	-	●	❖551B365
1/4	6	0,6	10	0/2	10	10	LP	○	-	-	-	-	-	-	-	❖551H365
1/2	13	2,49	41,5	0/2	10	10	BP	-	-	●	●	●	-	-	●	❖553A465
1/2	13	2,49	41,5	0/2	10	10	BP	●	-	-	-	-	-	-	-	❖553G465
1/2	13	2,49	41,5	0/2	10	10	LP	-	●	●	●	○	○	-	●	❖553A365
1/2	13	2,49	41,5	0/2	10	10	LP	○	-	-	-	-	-	-	-	❖553G365
5/3 - W3 - pressure release, solenoid air pilot operated and return																
1/4	6	0,6	10	0/2	10	10	BP	-	-	●	●	●	-	-	●	❖551B466
1/4	6	0,6	10	0/2	10	10	BP	●	-	-	-	-	-	-	-	❖551H466
1/4	6	0,6	10	0/2	10	10	LP	-	●	●	●	○	○	-	●	❖551B366
1/4	6	0,6	10	0/2	10	10	LP	○	-	-	-	-	-	-	-	❖551H366
1/2	13	2,49	41,5	0/2	10	10	BP	-	-	●	●	●	-	-	●	❖553A466
1/2	13	2,49	41,5	0/2	10	10	BP	●	-	-	-	-	-	-	-	❖553G466
1/2	13	2,49	41,5	0/2	10	10	LP	-	●	●	●	○	○	-	●	❖553A366
1/2	13	2,49	41,5	0/2	10	10	LP	○	-	-	-	-	-	-	-	❖553G366

❖ Select **B** for NPT ANSI 1.20.3 or select **G** for ISO G (228/1) ● Available feature ○ Available feature in DC only - Not available

⁽³⁾ Zero minimum is only achieved if external pressure is applied.

PREFIX TABLE

prefix							description	power level			
1	2	3	4	5	6	7		LP	RP	MP	BP
E	F						Explosionproof - NEMA 7, 9 - Zinc plated steel conduit	○	-	-	●
E	M						Waterproof IP66/67 - Metal enclosure (EN/IEC 60079-7,-18 and -31)*	●	-	-	●
		E	T				Threaded conduit/hole (M20 x 1,5)	●	-	-	●
L	P	K	F				Flameproof - Aluminium (EN/IEC 60079-1, 60079-31)*	●	-	-	-
N	F						Flameproof - Aluminium (EN/IEC 60079-1, 60079-31)*	●	-	-	●
P	V						Encapsulated epoxy moulded (EN/IEC 60079-18)*	○	-	-	●
S	C						Solenoid with spade plug connector (EN/IEC 60730)	●	-	-	●
W	P						Waterproof IP67 - Metal enclosure	●	-	-	●
L	I						I.S. with Aluminium IP67 enclosure (EN/IEC 60079-11 / 60079-31)*	○	-	-	-
W	S						Waterproof IP67 - 316 SS enclosure	●	-	-	●
W	S	L	P	K	F		Flameproof - 316 SS (EN/IEC 60079-1, 60079-31)*	●	-	-	-
W	S	E	M				Waterproof IP66/67 - 316 SS enclosure (EN/IEC 60079-7,-18 and -31)*	●	-	-	●
W	S			L	I		I.S. with 316L SS IP67 enclosure (EN/IEC 60079-11, 60079-31)*	○	-	-	-
W	S	N	F				Flameproof - 316L SS (EN/IEC 60079-1, 60079-31)*	●	-	-	●
		T					Threaded conduit (1/2" NPT)	●	-	-	●
				H	T		Class H - High temperature (ambient +80°C)	-	-	-	●
						X	Other special constructions	●	-	-	●

- * ATEX solenoids are also approved according to EN 13463-1 (non electrical valves)
- Available feature
- Available feature in DC only
- Not available

SUFFIX TABLE

suffix							description	power level			
1	2	3	4	5	6	7		LP	RP	MP	BP
			M	O			Push type manual operator	●	-	-	●
	S	L					Exhaust reducer (series 551 only)	●	-	-	●
	M	F					Certified IEC 61508 Functional Safety data ⁽¹⁾	●	-	-	●
							Low temperature -40°C	●	-	-	●

- Available feature in DC only
- Not available
- ⁽¹⁾ Not to use with MO suffix

OPTIONS & ACCESSORIES

series	pipe size	exhaust protector (stainless steel)		
		(G)	(NPT)	(M)
551	1/8	34600418 ⁽²⁾	34600482 ⁽²⁾	-
551 (W1/W3)	1/4	34600419 ⁽²⁾	34600483 ⁽²⁾	-
553	1/2	34600479 ⁽²⁾	34600481 ⁽²⁾	-
551	M5	-	-	34600484

⁽²⁾ Provided with "SL" suffix.

ORDERING EXAMPLES:

SC	G	551	B	401	230V / 50 Hz	
SC	G	551	B	401	SL	230V / 50 Hz
SC	G	551	B	402	MO	230V / 50 Hz
SCHT	8	551	B	402	MO	230V / 50 Hz
LPKF	G	551	B	301	MO	24V / DC
WSLPKF	G	551	B	301	MO	24V / DC
LI	G	553	A	301	24V / DC	
EM	8	553	A	402	MO	230V / 50 Hz
EF	G	551	H	401	MO	240V / 60 Hz

prefix ⁽³⁾ pipe thread voltage
basic number ⁽³⁾ suffix

⁽³⁾ Prefixes EF should always be used with the letter H or G in the basic number.

EXPLANATION OF TEMPERATURE RANGES OF SOLENOID VALVES

Valve temperature range	The valve temperature range (TS) is determined by the selected seal material, the temperature range for proper operation of the valve and sometimes by the fluid (e.g. steam)
Operator ambient temperature range	The operator ambient temperature range is determined by the selected power level and the safety code
Total temperature range	The temperature range of the complete solenoid valve is determined by the limitations of both temperature ranges above

ELECTRICAL CHARACTERISTICS

Coil insulation class	F
Electrical safety	IEC 335
Standard voltages	DC (=) 24V - 48V AC (~) 24V - 48V - 115V - 230V ⁽⁵⁾ /50Hz; other voltages and 60Hz are available on request

prefix option	power ratings				operator ambient temperature range (TS) (C°) ⁽¹⁾	safety code	electrical enclosure protection (EN 60529)	replacement coil / kit		type ⁽²⁾
	inrush	holding	hot/cold	=				~	=	
	(VA)	(VA) (W)	(W)	(W)				230 V/50 Hz	24V/DC	
Basic power (BP)										
SC	55	23	10,5	9/11,2	-40 to +75	EN 60730	IP65 moulded	400425-117	400425-142	01
WP/WS	55	23	10,5	9/11,2	-40 to +75	EN 60730	IP67 steel/SS	400405-117	400405-142	04
NF/WSNF	55	23	10,5	-	(-60) ⁽⁷⁾ -40 to +25/40/60	II2G Ex d IIC Gb T6/T5/T4, II2D Ex tb IIIC Db	IP66/67, alu./SS	400405-117	-	02
NF/WSNF	-	-	-	9/11,2	(-60) ⁽⁷⁾ -40 to +40/60/75	II2G Ex d IIC Gb T6/T5/T4, II2D Ex tb IIIC Db	IP66/67, alu./SS	-	400405-142	02
EM/WSEM	55	23	10,5	9/11,2	-40 to +40	II2G Ex e mb IIC Gb T3, II2D Ex tb IIIC Db	IP66/67, steel /SS	400909-117	400913-142	04
PV	55	23	10,5	9/11,2	-40 to +65	II2G Ex mb IIC Gb T3(-)/T4(=), II2D Ex mb IIIC Db	IP67 moulded	- ⁽⁴⁾	- ⁽⁴⁾	05
EF	55	23	10,5	9/11,2	-40 to +54/40	NEMA type 7 and 9	NEMA 4X	238614-058	238714-006	06
Low power (LP)										
SC	1,5	1,5	1,5	1,7/1,7	-40 to +60	EN 60730	IP65 moulded	400925-097	400925-042	07
WP/WS	1,5	1,5	1,5	1,7/1,7	-40 to +60	EN 60730	IP67 steel/SS	400926-097	400926-042	09
LPKF/WSLPKF ⁽⁸⁾	2,4	2,4	2,4 ⁽⁹⁾	-	-40 to +40/65/80	II2G Ex d IIB+H2 Gb T6/T5/T4, II2D Ex tb IIIC Db	IP66/67, alu./SS	- ⁽⁴⁾	- ⁽⁴⁾	13
LPKF/WSLPKF	-	-	-	0,5/0,5 ⁽⁸⁾	-40 to +60	II2G Ex d IIB+H2 Gb T6, II2D Ex tb IIIC Db	IP66/67, alu./SS	- ⁽⁴⁾	- ⁽⁴⁾	13
LPKF/WSLPKF	-	-	-	2,1 ⁽⁹⁾	-40 to +40/80	II2G Ex d IIB+H2 Gb T6/T4, II2D Ex tb IIIC Db	IP66/67, alu./SS	- ⁽⁴⁾	- ⁽⁴⁾	13
NF/WSNF	-	-	1,85	-/1,8	(-60) ⁽⁷⁾ -40 to +75/80	II2G Ex d IIC Gb T6/T5, II2D Ex tb IIIC Db	IP66/67, alu./SS	- ⁽⁴⁾ ⁽⁵⁾	- ⁽⁴⁾	08
EM/WSEM	1,5	1,5	1,5	1,7/1,7	-40 to +40/55	II2G Ex e mb IIC Gb T6/T5, II2D Ex tb IIIC Db	IP66/67, steel /SS	- ⁽⁴⁾	- ⁽⁴⁾	09
PV	-	-	-	1,7/1,7	-40 to +65	II2G Ex mb II T6 / II2D Ex mD 21	IP67 moulded	-	- ⁽⁴⁾	10
EF	-	-	-	1,7/1,7	-40 to +60	NEMA type 7 and 9	NEMA 4X	-	- ⁽⁴⁾	11
LI ⁽³⁾ ⁽⁶⁾	-	-	-	0,5/0,5	-40 to +60	II1G Ex ia IIC T6 Ga, II2D Ex tb IIIC Db ⁽⁶⁾	IP66/67, alu.	-	- ⁽⁴⁾	14
WSLI ⁽³⁾ ⁽⁶⁾	-	-	-	0,5/0,5	-40 to +60	II1G Ex ia IIC T6 Ga, II2D Ex tb IIIC Db ⁽⁶⁾	IP66/67, SS	-	- ⁽⁴⁾	14

prefix option	safety parameters				
	U _i = (DC) (V)	I _i (mA)	P _i (W)	L _i (H)	C _i (µF)
Low power (LP)					
LI/WSLI	32	500	1,5	0	0

- ⁽¹⁾ Temperature range can be limited by sealings
- ⁽²⁾ Refer to the dimensional drawings on pages: 11 to 14
- ⁽³⁾ LI/WSLI: Check the electrical characteristics in the corresponding catalogue pages
- ⁽⁴⁾ Multiple coil kits are available under ATEX/IECEX, contact us
- ⁽⁵⁾ (WS)/NF: Low Power, 230 V AC does not exist. Maximum voltage in AC is 115 V
- ⁽⁶⁾ LI/WSLI: Low Power, 24 V DC only (**For use in zone 0 locations, see the installation conditions given in the I&M instructions**)
- ⁽⁷⁾ The certified minimum temperature of this operator
- ⁽⁸⁾ LPKF/WSLPKF: 24 V DC, max. ambient temp. +80°C, contact us (48 V DC = 2,1 W)
- ⁽⁹⁾ Max. power ratings values: 115 V AC (2,4 W), 48 V DC (2,1 W)
- Not available

ELECTRICAL CONNECTIONS

prefix	connection
SC	Spade plug connector with cable gland EN175301-803A (ISO 4400) for cables with an outer diameter from 6 to 10 mm
WP, WS, EM, WSEM	M20 cable gland for cables with an outer diameter from 7 to 12 mm. With an internal and external facility for an earthing or bonding conductor
NF, WSNF, LPKF, WSLPKF	1/2" NPT threaded cable entry. Enclosures are supplied without cable gland
PV	Moulded-in cable, standard length 2 m
LI, WSLI	1/2" NPT cable gland for cables with an outer diameter from 7 to 12 mm. With an internal and external facility for an earthing or bonding conductor
EF	1/2" NPT conduits, standard length 35 cm

ADDITIONAL OPTIONS

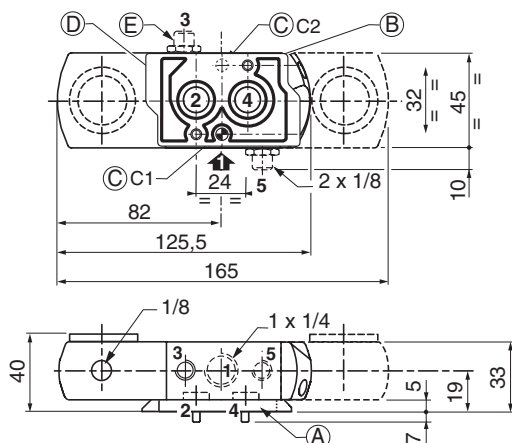
- Valves configured for external pilot air supply, TPL 20547
- Other pipe threads are available on request
- Ex mb (prefix "PV") solenoid can be supplied with various cable lengths
- Compliance with "UL", "CSA" and other local approvals available on request
- 1/2" NPT (prefix "T") and M20 x 1.5 (prefix "ET") conduits (aluminium or 316 SS) available for steel solenoid housing
- Set of stainless steel mounting screws, catalogue number: **97802212** (series 551)
- Set of two exhaust reducers, G1/8, catalogue number: **88100344** (series 551)

INSTALLATION

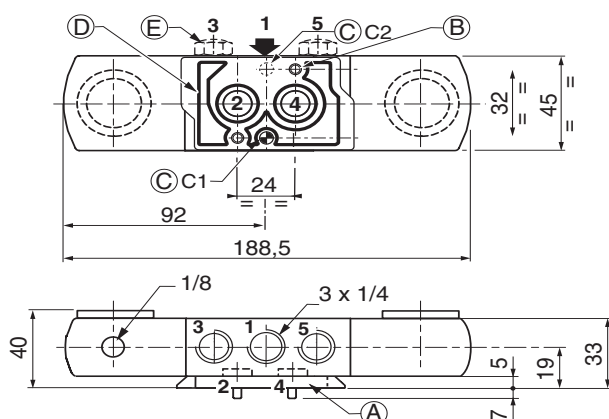
- Multi language installation/maintenance instructions are included with each valve
- The solenoid valves can be mounted in any position without affecting operation
- 3/2 NC-5/2 spool valve supplied with one or two interface plates with NAMUR mating surfaces. Depending on function (3/2 NC or 5/2), position the plate (series 551) or one of the two plates (series 553) on the spool valve body before installing on actuator
- Do not connect the pressure supply to the exhaust port 3. The "environmentally-protected" construction is not adapted for NO function. Contact us for function available in specific version
- Dowel pin (if necessary), bolts and gaskets are standard supplied
- IEC 61508 Functional Safety (suffix SL). Check temperature range of valve body and solenoid for suitability. For probability of failure, contact us
- It is necessary to connect pipes or fittings to the exhaust ports to protect the internal parts of the spool valve and its pneumatic operator if used outside or in harsh environments (dusts, liquids etc.)
- Threaded pipe connection identifier is: 8 = NPT (ANSI 1.20.3); G = G (ISO 228/1)
- Prefix "NF/WSNF" enclosure is provided with a 1/2" NPT threaded entry hole, M20 x 1,5 (prefix "ET") is optional. Both are supplied without cable gland
- To comply with IEC 61508 (SIL) the valves must be provided with a specific exhaust protector (see following pages)

DIMENSIONS (mm), WEIGHT (kg)

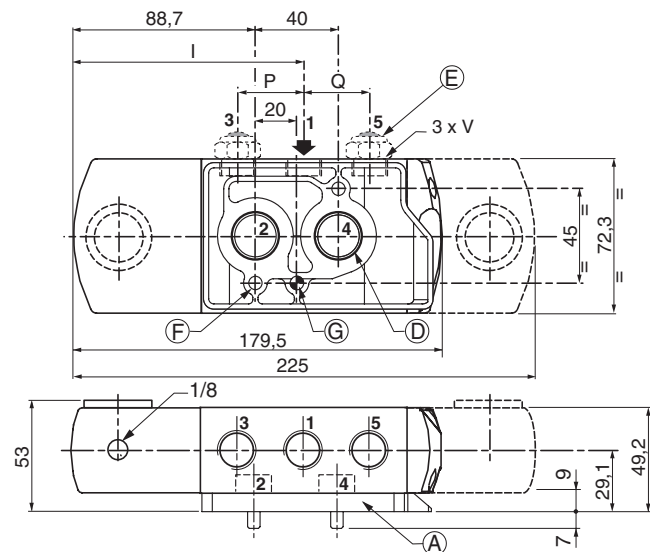
Series 551



Series 551 (W1, W3)



Series 553



	type	I	P	Q	V
553	01 to 12	112,3	31,6	31,8	1/2

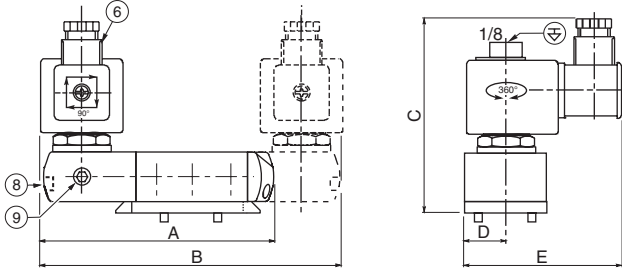
- (A) Interface plates
- (B) 2 mounting holes dia. 5,3; Spotfacing: dia. 9, depth 5 mm
- (C) 1 dia. 5 mm hole for dowel pin (series 551)
- in position C1: 3/2 NC function plate
- in position C2: 5/2 function plate
- (D) 2 O-ring seals (supplied)
- (E) Exhaust reducers G 1/8 (series 551) or protectors adaptable on orifices 3 and 5
- (F) 2 mounting holes dia. 6.5 ; Spotfacing: dia. 11, depth 6 mm
- (G) 1 dia. 6,5 mm hole for dowel pin (series 553). Same position for interface plate 3/2 NC or 5/2

DIMENSIONS (mm), WEIGHT (kg)



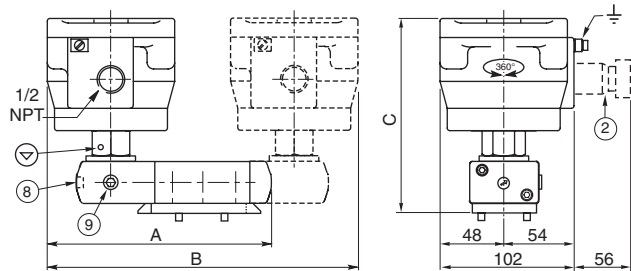
TYPE 01:
Epoxy moulded
SC: IEC 335 / ISO 4400

551B401/B402/B401MO/B402MO/B465/B466/B465MO/B466MO
553A401/A402/A401MO/A402MO/A465/A466/A465MO/A466MO



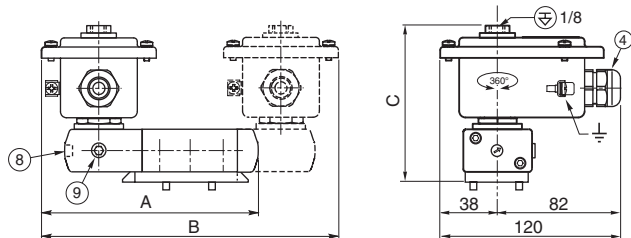
TYPE 02:
Aluminium; epoxy coated / AISI 316L SS
NF/WSNF: EN/IEC 60079-1, 60079-31

551B401/B402/B401MO/B402MO/B465/B466/B465MO/B466MO
553A401/A402/A401MO/A402MO/A465/A466/A465MO/A466MO



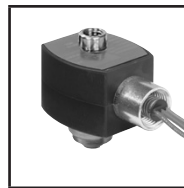
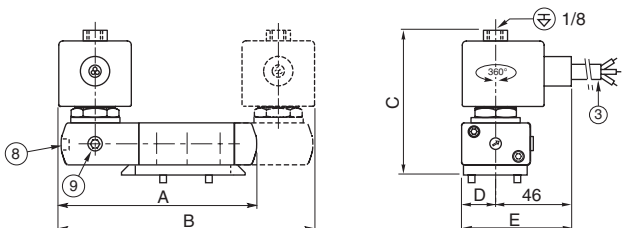
TYPE 04:
Metal; epoxy coated / AISI 316 SS
WP / WS: IEC 335
EM / WSEM: EN/IEC 60079-7 +18 + 31

551B401/B402/B401MO/B402MO/B465/B466/B465MO/B466MO
553A401/A402/A401MO/A402MO/A465/A466/A465MO/A466MO



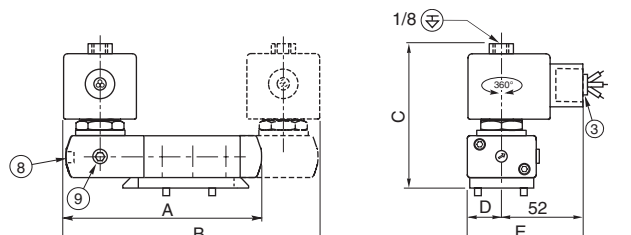
TYPE 05:
Epoxy encapsulated
PV: EN/IEC 60079-18

551B401/B402/B401MO/B402MO/B465/B466/B465MO/B466MO
553A401/A402/A401MO/A402MO/A465/A466/A465MO/A466MO



TYPE 06:
Epoxy encapsulated
EF: NEMA type 7, 9 / ICS-6 ANSI
NOTE: applicable to solenoid only

551H401/H402/H401MO/H402MO/H465/H466/H465MO/H466MO
553G401/G402/G401MO/G402MO/G465/G466/G465MO/G466MO

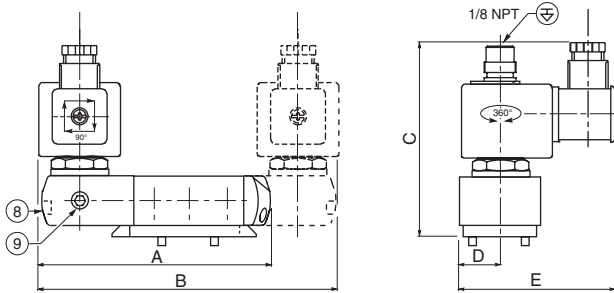


DIMENSIONS (mm), WEIGHT (kg)



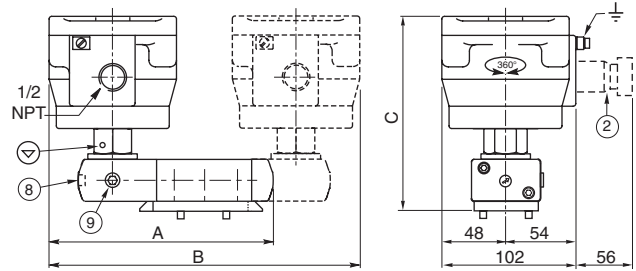
TYPE 07:
Epoxy moulded
SC: IEC 335 / ISO 4400

551B301/B302/B301MO/B302MO/B365/B366/B365MO/B366MO
553A301/A302/A301MO/A302MO/A365/A366/A365MO/A366MO



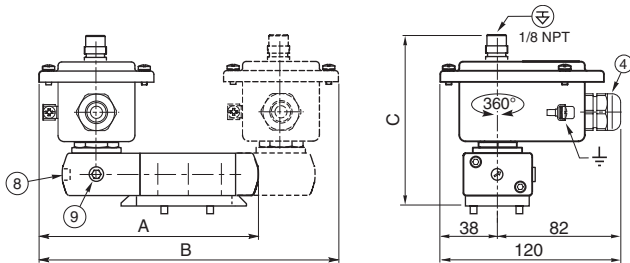
TYPE 08:
Aluminium; epoxy coated / AISI 316L SS
NF/WSNF: EN/IEC 60079-1, 60079-31

551B301/B302/B301MO/B302MO/B365/B366/B365MO/B366MO
553A301/A302/A301MO/A302MO/A365/A366/A365MO/A366MO



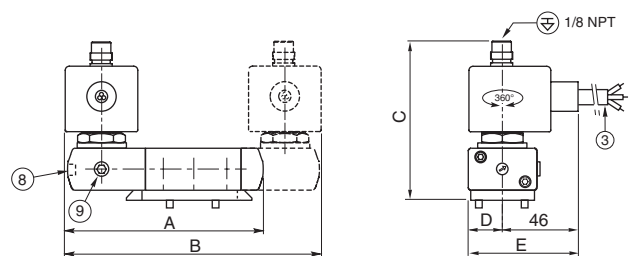
TYPE 09:
Metal; epoxy coated / AISI 316 SS
WP / WS: IEC 335
EM / WSEM: EN/IEC 60079-7 +18 + 31

551B301/B302/B301MO/B302MO/B365/B366/B365MO/B366MO
553A301/A302/A301MO/A302MO/A365/A366/A365MO/A366MO



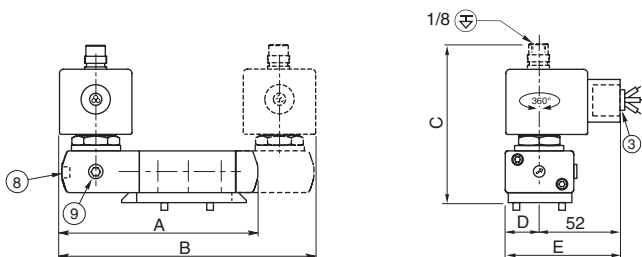
TYPE 10:
Epoxy encapsulated
PV: EN/IEC 60079-18

551B301/B302/B301MO/B302MO/B365/B366/B365MO/B366MO
553A301/A302/A301MO/A302MO/A365/A366/A365MO/A366MO



TYPE 11:
Epoxy encapsulated
EF: NEMA type 7, 9 / ICS-6 ANSI
NOTE: applicable to solenoid only

551H301/H302/H301MO/H302MO/H365/H366/H365MO/H366MO
553G301/G302/G301MO/G302MO/G365/G366/G365MO/G366MO



DIMENSIONS (mm), WEIGHT (kg)



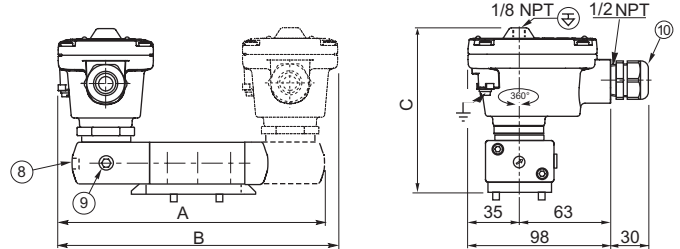
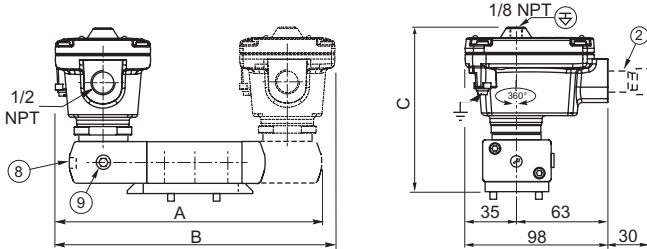
TYPE 13 :
Aluminium, cataphoresis black painting / AISI 316L SS
LPKF/WSLPKF: EN/IEC 60079-1, 60079-31



TYPE 14 :
Aluminium, cataphoresis black painting / AISI 316L SS
LI / WSLI : EN/IEC 60079-11, 60079-31

551B301/B302/B301MO/B302MO/B365/B366/B365MO/B366MO
553A301/A302/A301MO/A302MO/A365/A366/A365MO/A366MO

551B301/B302/B301MO/B302MO/B365/B366/B365MO/B366MO
553A301/A302/A301MO/A302MO/A365/A366/A365MO/A366MO



- ② Ex d certified cable gland (on request)
- ③ Three-core cable, length 2 m
- ④ Cable gland for unarmoured cable with 7 to 12 mm dia. sheath
- ⑥ Connector rotatable by 90° increments, cable Ø 6 - 10 mm
- ⑧ Push type or screw type manual operator, suffix MO
- ⑨ External pilot air supply, 1/8 pipe size
- ⑩ Cable gland for unarmoured cable with 7 to 12 mm dia. sheath
- ⊕ Connectable pilot exhaust port
- ⊖ Non-connectable pilot exhaust port

type	prefix option	plage de puissance	A		B		C		D		E		weight ⁽¹⁾				
			551	553	551	551 (W1-W3)	553	551	553	551	553	551	553	551	553	551	553
01	SC	BP	125	179,5	174	198,5	225	107,7	121,2	22,5	36,15	86,5	100,2	0,86	1,66	1,37	2,22
02	NF / WSNF	BP	152	224,3	218	241,5	314,6	146,8	160,3	-	-	-	-	1,90	2,70	3,45	4,36
04	WP / WS	BP	142	196,2	198	221,5	258,3	108	121,5	-	-	-	-	0,89	1,67	1,43	2,24
04	(WS)EM	BP	142	196,2	198	221,5	258,3	108	121,5	-	-	-	-	0,89	1,67	1,43	2,24
05	PV	BP	126	179,5	166	189,5	225	93	106,5	22,5	36,15	67,5	81,2	0,87	1,67	1,39	2,23
06	EF	BP	126,5	183	167	190,5	232	90,5	104	22,5	36,15	74,5	88,2	0,88	1,67	1,40	2,24
07	SC	LP	126,5	180,5	167	190,5	227	106,5	120	22,5	36,15	87,5	101,2	0,86	1,87	1,61	2,43
08	NF / WSNF	LP	152	224,3	218	241,5	314,6	146,8	160,3	-	-	-	-	1,90	2,70	3,45	4,36
09	WP/WS/(WS)EM	LP	142	196,2	198	221,5	258,3	107,2	120,7	-	-	-	-	1,10	1,88	1,43	2,45
10	PV	LP	126	179,5	166	189,5	225	105,5	119	22,5	36,15	67,5	81,2	1,08	1,88	1,60	2,44
11	EF	LP	126,5	183	167	190,5	232	105,5	119	22,5	36,15	74,5	88,2	1,07	1,88	1,59	2,45
13	LPKF	LP	135	191,5	186	152,5	249	118	131,5	-	-	-	-	1,00	2,07	1,65	2,52
13	WSLPKF	LP	135	191,5	186	152,5	249	118	131,5	-	-	-	-	1,61	3,08	2,85	3,59
14	LI	LP	135	191,5	186	152,5	249	118	131,5	-	-	-	-	1,01	2,08	1,66	2,53
14	WSLI	LP	135	191,5	186	152,5	249	118	131,5	-	-	-	-	1,62	2,79	2,86	3,73

⁽¹⁾ Including coil(s) and connector(s).

ACCESSORIES

